

1 Spare parts list - double action mechanical seal (DW)

for GEA Hilge TP/TPS centrifugal pump

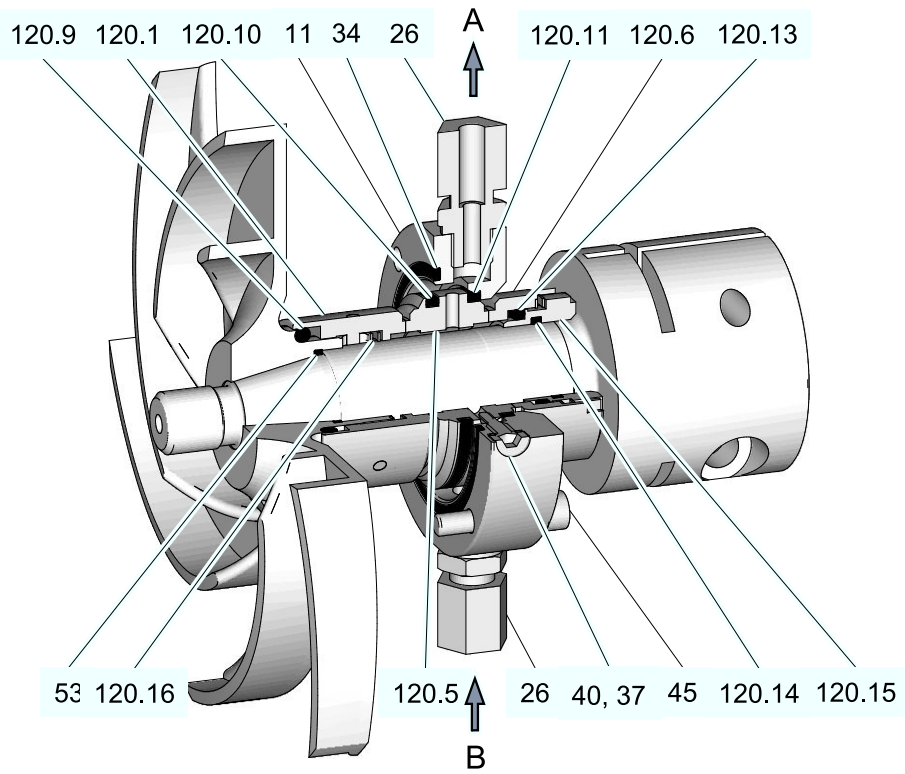


Fig.1

Spare parts list - double action mechanical seal (DW)

Item	Designation	Material	Material no.			
			25		30	
			TP 1020, TP 2030, TP 1540, TP 2050, TP 3050, TPS 2030, TPS 3050		TP 5060, TP 7060, TP 2575, TP 8050, TP 8080, TP 16040, TPS 8050, TPS 8080	
Mechanical seal - wear set		SIC/SIC/EPDM	244-000135		244-000378	
		SIC/SIC/EPDM (3A)	90-0000589		90-0000597	
		SIC/SIC/FKM	244-000136		244-000379	
		SIC/SIC/FKM (3A)	90-0000592		90-0000599	
11	Mechanical seal holder	1.4301	244-000131		244-000461	
26	Screw-in screw connection	Brass / nickel-plated	110-000005		110-000005	
34	O-ring	EPDM	100-000005	(*)	100-000005	(*)
37	Flat gasket	steel/FKM	100-000015	(**)	100-000015	(**)
40	Lock screw	A4-70	244-000134	(**)	244-000134	(**)
45	Cheese head screw	A4-70	902-117		902-117	
53	O-ring	FKM	100-000004	(*)	930-898	(*)
120.1	Mechanical seal, primary	1.4462	--	(*) (**)	--	(*) (**)
120.5	Set ring	SIC	--	(*) (**)	--	(*) (**)
120.6	Mechanical seal, secondary	1.4571	--	(*) (**)	--	(*) (**)
120.9	O-ring	EPDM	100-000007	(*) (**)	930-808	(*)
		EPDM (3A)	930-1000		930-808	
		FKM	100-000013	(*) (**)	930-482	(*)
120.10	O-ring	EPDM	100-000009	(*) (**)	930-861	(*)
		EPDM (3A)	930-1001		930-861	
		FKM	100-000010	(*) (**)	930-899	(*)
120.11	O-ring	EPDM	100-000009	(*) (**)	930-897	(*)
		FKM	100-000010	(*) (**)	--	(*)
120.13	O-ring	EPDM	100-000008	(*) (**)	930-862	(*)
120.14	O-ring	EPDM	930-495		930-896	
120.15	Driver	1.4571	--	(*) (**)	--	(*) (**)
120.16	Spring	1.4571	--	(*) (**)	--	(*) (**)
A	Outlet for hose or pipe Ø 6/4 mm					
B	Inlet for hose or pipe Ø 6/4 mm					
(*) The mechanical seal wear set includes all parts with *.						
(**) The parts with ** are not available individually as spare part.						