

1 Spare parts list - single action mechanical seal (EW)

for GEA Hilge TP/TPS centrifugal pump

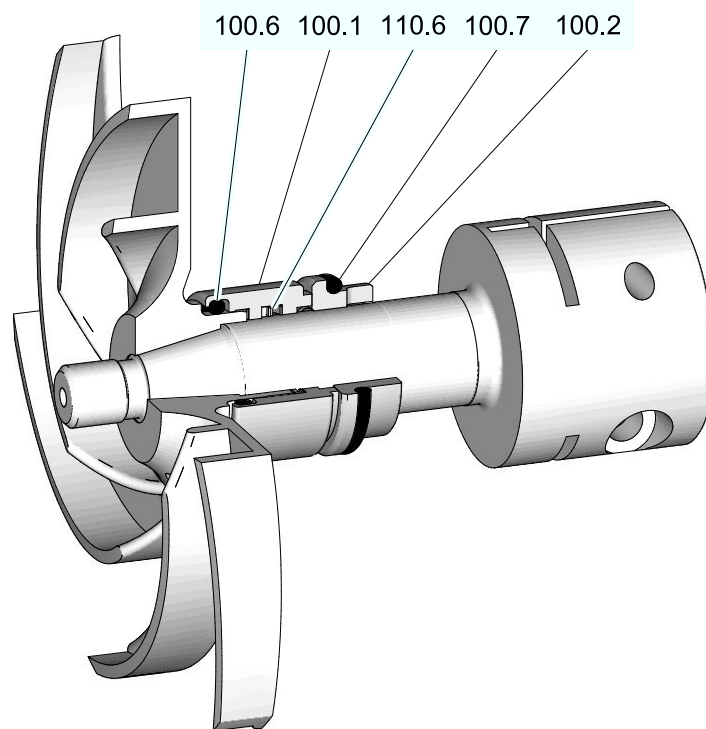


Fig.1

Spare parts list - single action mechanical seal (EW)

Item	Designation	Material	Material no.			
			25		30	
Mechanical seal size			TP 1020, TP 2030, TP 1540, TP 2050, TP 3050, TPS 2030, TPS 3050		TP 5060, TP 7060, TP 2575, TP 8050, TP 8080, TP 16040, TPS 8050, TPS 8080	
Mechanical seal - wear set		C/SS/EPDM	244-000531		244-000533	
		C/SS/EPDM (3A)	244-000531		90-0000593	
		C/SIC/EPDM	244-000045		244-000345	
		SIC/SIC/EPDM	244-000043		244-000382	
		C/SS/FKM	244-000532		244-000534	
		C/SS/FKM (3A)	90-0000587		90-0000594	
		C/SIC/FKM	244-000044		244-000381	
		SIC/SIC/FKM	244-000042		244-000383	
100.1	Mechanical seal	1.4462	--	(*) (**)	--	(*) (**)
100.2	Set ring	SIC	--	(*) (**)	--	(*) (**)
100.6	O-ring	EPDM	100-000007	(*) (**)	930-808	(*)
		EPDM (3A)	930-1000	(*) (**)	930-808	(*)
		FKM	100-000013	(*) (**)	930-482	(*)
100.7	O-ring	EPDM	100-000006	(*) (**)	930-806	(*)
		FKM	100-000012	(*) (**)	930-807	(*)
110.6	Spring	1.4571	--	(*) (**)	--	(*) (**)
(*) The mechanical seal wear set includes all parts with *. (**) The parts with ** are not available individually as spare part.						