

# 1 Spare parts list - single action mechanical seal (QU)

for GEA Hilge TP/TPS centrifugal pump

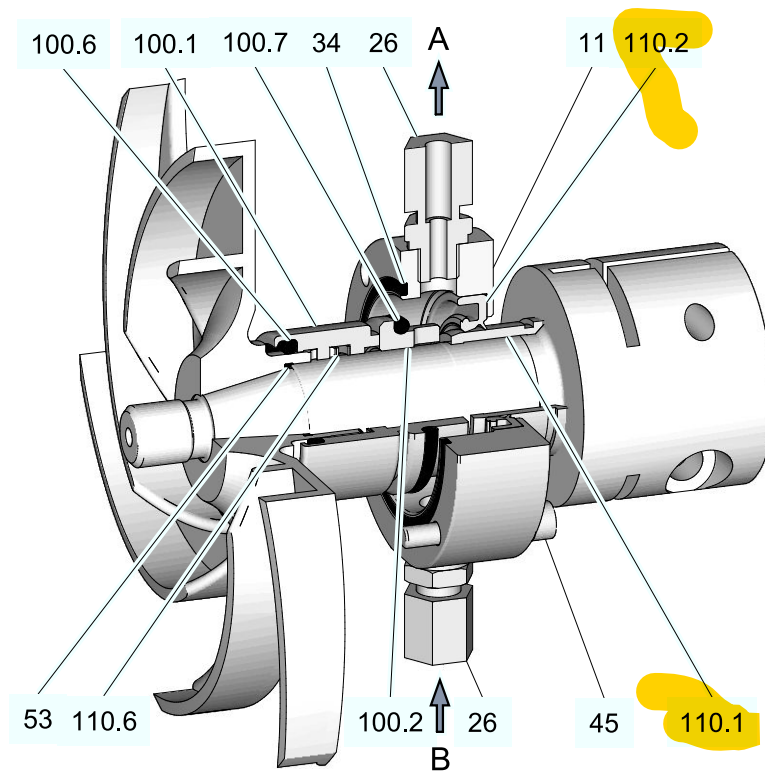


Fig.1

## Spare parts list - single action mechanical seal (QU)

Item	Designation	Material	Material no.			
			25		30	
Mechanical seal size			TP 1020, TP 2030, TP 1540, TP 2050, TP 3050, TPS 2030, TPS 3050		TP 5060, TP 7060, TP 2575, TP 8050, TP 8080, TP 16040, TPS 8050, TPS 8080	
Mechanical seal - wear set		C/SS/EPDM	244-000531		244-000533	
		C/SS/EPDM (3A)	244-000531		90-0000593	
		C/SIC/EPDM	244-000045		244-000345	
		SIC/SIC/EPDM	244-000043		244-000382	
		C/SS/FKM	244-000532		244-000534	
		C/SS/FKM (3A)	90-0000587		90-0000594	
		C/SIC/FKM	244-000044		244-000381	
		SIC/SIC/FKM	244-000042		244-000383	
11	Mechanical seal holder	1.4301	244-000132	(**)	244-000462	(**)
26	Male threaded coupling	Brass / nickel-plated	110-000005		110-000005	
34	O-ring	EPDM	100-000005		100-000005	
45	Cheese head screw	A4-70	100-000016	(**)	100-000016	(**)
53	O-ring	FKM	100-000004		930-898	
100.1	Mechanical seal	1.4462	--	(*) (**)	--	(*) (**)
100.2	Set ring	SIC	--	(*) (**)	--	(*) (**)
100.6	O-ring	EPDM	100-000007	(*) (**)	930-808	(*)
		EPDM (3A)	930-1000	(*) (**)	930-808	
		FKM	100-000013	(*) (**)	930-482	(*)
100.7	O-ring	EPDM	100-000006	(*) (**)	930-806	(*)
		FKM	100-000012	(*) (**)	930-807	(*)
110	Shaft protection	1.4462/FKM	244-000133	(***)	244-000344	(***)
110.1	Shaft protection sleeve	1.4462	--	(**)	--	(**)
110.2	Shaft seal	FKM	100-000014		924-342	
110.6	Spring	1.4571	--	(*) (**)	--	(*) (**)
A	Outlet for hose or pipe Ø 6/4 mm					
B	Inlet for hose or pipe Ø 6/4 mm					
<p>(*) The mechanical seal wear set includes all parts with *.</p> <p>(**) The parts with ** are not available individually as spare part.</p> <p>(***) The shaft protection, item 110, contains the shaft seal, item 110.2 and the shaft protection sleeve, item 110.1.</p>						