

1 Spare parts list - GEA Hilge TPS centrifugal pump
with IEC motor, 50 Hz

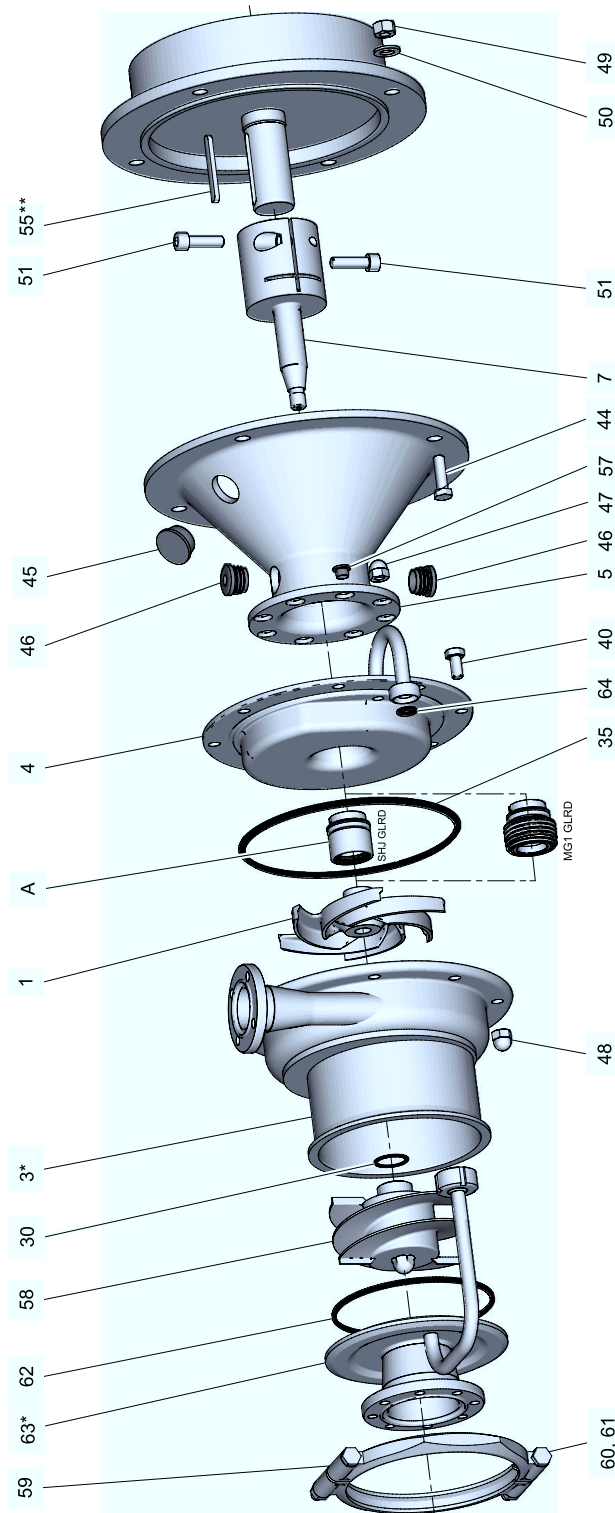


Fig.1

Spare parts list - GEA Hilge TPS centrifugal pump

Item	Designation	Material	Pump type TPS 2030				Pump type TPS 3050							
			90S / 90L	100L / 112M	132S / 132M	160M	90S / 90L	100L / 112M	132S / 132M	160M / 160L	180M			
	Impeller TPHD 100/SHJ	1.4409		244-001165										
	Impeller TPHD 100/MG	1.4409		244-001543										
	Impeller TPHD 110/SHJ	1.4409		244-000148										
	Impeller TPHD 110/MG	1.4409		244-001544										
	Impeller TPHD 120/SHJ	1.4409		244-000147										
	Impeller TPHD 120/MG	1.4409		244-001545										
	Impeller TPHD 130/SHJ	1.4409		244-000146										
	Impeller TPHD 130/MG	1.4409		244-001546										
	Impeller TPHD 140/SHJ	1.4409		244-000145						244-000325				
	Impeller TPHD 140/MG	1.4409		244-001547						244-001508				
	Impeller TPHD 145/SHJ	1.4409		244-001102										
	Impeller TPHD 145/MG	1.4409		244-001548										
	Impeller TPHD 150/SHJ	1.4409		244-000144						244-000324				
	Impeller TPHD 150/MG	1.4409		244-001549						244-001509				
	Impeller TPHD 155/SHJ	1.4409		244-001103										
	Impeller TPHD 155/MG	1.4409		244-001550										
	Impeller TPHD 160/SHJ	1.4409		244-000160						244-000212				
	Impeller TPHD 160/MG	1.4409		244-001551						244-001510				
	Impeller TPHD 170/SHJ	1.4409		--						244-000213				
	Impeller TPHD 170/MG	1.4409		--						244-001511				
	Impeller TPHD 175/SHJ	1.4409		--						244-001097				
	Impeller TPHD 175/MG	1.4409		--						244-001512				
	Impeller TPHD 180/SHJ	1.4409		--						244-000214				
	Impeller TPHD 180/MG	1.4409		--						244-001513				
	Impeller TPHD 185/SHJ	1.4409		--						244-001071				
	Impeller TPHD 185/MG	1.4409		--						244-001514				
	Impeller TPHD 190/SHJ	1.4409		--						244-000215				
	Impeller TPHD 190/MG	1.4409		--						244-001515				

Item	Designation	Material	Pump type TPS 2030				Pump type TPS 3050				
			90S / 90L	100L / 112M	132S / 132M	160M	90S / 90L	100L / 112M	132S / 132M	160M / 160L	180M
	Impeller TPHD 195/SHJ	1.4409	--	--	--	--	244-001098				
	Impeller TPHD 195/MG	1.4409	--	--	--	--	244-001516				
	Impeller TPHD 200/SHJ	1.4409	--	--	--	--	244-000258				
	Impeller TPHD 200/MG	1.4409	--	--	--	--	244-001517				
	Impeller TPHD 205/SHJ	1.4409	--	--	--	--	244-001099				
	Impeller TPHD 205/MG	1.4409	--	--	--	--	244-001518				
	Impeller TPHD 210/SHJ	1.4409	--	--	--	--	244-000259				
	Impeller TPHD 210/MG	1.4409	--	--	--	--	244-001485				
3	Pump cover TPS *	1.4404		*			*				
	Pump cover VTPS with drainage *	1.4404		*			*				
4	Pump housing TPS/EW	1.4404		244-000865			244-000877				
	Pump housing TPS/DW	1.4404		244-000867			244-000878				
	Pump housing TPS/QU	1.4404		244-000866			244-000879				
5	Lantern TP 90	1.4301	244-000049	--	--	--	244-000049	--	--	--	--
	Lantern TP 112	1.4301	--	244-000028	--	--	--	244-000028	--	--	--
	Lantern TP 132	1.4301	--	--	244-000015	--	--	--	244-000015	--	--
	Lantern TP 180	1.4301	--	--	--	244-000193	--	--	244-000193	244-000193	244-000193
7	Shaft TP	1.4301	244-000048	244-000025	244-000023	244-000190	244-000048	244-000025	244-000023	244-000190	244-000815
30	O-ring	EPDM		930-756					930-756		
		FKM		930-759					930-759		
35	O-ring	EPDM		930-840					930-868		
		FKM		930-841					930-869		
40	Hex screw	A2-70		901-092					901-140		
44	Hex screw	A2-70	901-097	901-149	901-149	901-243	901-097	901-149	901-149	901-243	901-243
45	Round plug	PE-LD	922-355	922-334	922-334	922-334	922-355	922-334	922-334	922-334	922-334
46	Lamellar plug	PE-LD	922-355	922-355	922-355	922-355	922-355	922-355	922-355	922-355	922-355
47	Cap nut	A2		912-005					912-005		
48	Cap nut	A2		912-005					912-133		

Spare parts list - GEA Hilge TPS centrifugal pump

Item	Designation	Material	Pump type TPS 2030				Pump type TPS 3050			
			90S / 90L	100L / 112M	132S / 132M	160M	90S / 90L	100L / 112M	132S / 132M	160M / 160L
49	Hex nut	A2	910-026	910-029	910-029	910-043	910-029	910-029	910-043	910-043
50	Disk	1.4301	921-018	921-021	921-021	921-104	921-021	921-021	921-104	921-104
51	Cylindrical head screw with hexagon socket	A2-70	902-139	902-140	902-140	902-140	902-140	902-140	902-140	902-141
55	Feather key **	1.0503	244-001999	244-002000	244-002001	244-002002	244-002000	244-002001	244-002002	244-000828
56	Spacer ***	PVC	244-000185				244-000306			
57	Round plug	PE-LD	922-272				922-272			
58	Inducer	1.4404	244-000864				244-000868			
59	Clamp	1.4408	701-011				701-010			
60	Hex screw	A2-70	901-296				901-296			
61	Hex nut	A2	910-025				910-025			
62	O-ring	EPDM	930-372				930-614			
		FKM	930-409				930-668			
63	Flange TPS *	1.4404	*				*			
64	O-ring	EPDM	930-609				930-609			
		FKM	930-661				930-661			
	Sealing set	EPDM	244-000696				244-000785			
		FKM	244-000697				244-000786			
A	Mechanical seal	See spare parts lists mechanical seal EW, DW and QU for centrifugal pump TP and TPS								

* item 3 and item 63 - pump cover and flange TPS are available with connection fitting only on request.

** Feather keys for standard motor

*** item 56 is without figure. Spacer is a tool to set the axial gap.

Item	Designation	Material	Pump type TPS			Pump type TPS 8080				
			132S / 132M	8050 160M / 160L	200L	160M / 160L	180M / 180L	200L	225M	
1	Impeller TPHD 135/SHJ	1.4409		244-001639						
	Impeller TPHD 135/MG	1.4409		--						
	Impeller TPHD 140/SHJ	1.4409		244-002024						
	Impeller TPHD 140/MG	1.4409		--						
	Impeller TPHD 145/SHJ	1.4409		244-001638						
	Impeller TPHD 145/MG	1.4409		--						
	Impeller TPHD 150/SHJ	1.4409		244-002023						
	Impeller TPHD 150/MG	1.4409		--						
	Impeller TPHD 155/SHJ	1.4409		244-001637						
	Impeller TPHD 155/MG	1.4409		--						
	Impeller TPHD 160/SHJ	1.4409		244-002022						
	Impeller TPHD 160/MG	1.4409		--						
	Impeller TPHD 165/SHJ	1.4409		244-001636						
	Impeller TPHD 165/MG	1.4409		--						
	Impeller TPHD 170/SHJ	1.4409		244-002021				244-000411		
	Impeller TPHD 170/MG	1.4409		--				244-001529		
	Impeller TPHD 175/SHJ	1.4409		244-001635						
Impeller TPHD 175/MG	1.4409		--							
Impeller TPHD 180/SHJ	1.4409		244-002020				244-000412			
Impeller TPHD 180/MG	1.4409		--				244-001528			
Impeller TPHD 185/SHJ	1.4409		244-001634							
Impeller TPHD 185/MG	1.4409		--							
Impeller TPHD 190/SHJ	1.4409		244-002019				244-000403			
Impeller TPHD 190/MG	1.4409		--				244-001530			
Impeller TPHD 195/SHJ	1.4409		244-001663							
Impeller TPHD 195/MG	1.4409		--							
Impeller TPHD 200/SHJ	1.4409		244-002018				244-000404			
Impeller TPHD 200/MG	1.4409		--				244-001531			
Impeller TPHD 205/SHJ	1.4409		244-001617				244-001121			

Spare parts list - GEA Hilge TPS centrifugal pump

Item	Designation	Material	Pump type TPS			Pump type TPS 8080						
			132S / 132M	8050 160M / 160L	200L	160M / 160L	180M / 180L	200L	225M			
	Impeller TPHD 205/MG	1.4409		--				244-001532				
	Impeller TPHD 210/SHJ	1.4409		--				244-000405				
	Impeller TPHD 210/MG	1.4409		--				244-001533				
	Impeller TPHD 215/SHJ	1.4409		--				244-001122				
	Impeller TPHD 215/MG	1.4409		--				244-001484				
	Impeller TPHD 220/SHJ	1.4409		--				244-000406				
	Impeller TPHD 220/MG	1.4409		--				244-001534				
	Impeller TPHD 225/SHJ	1.4409		--				244-001123				
	Impeller TPHD 225/MG	1.4409		--				244-001535				
	Impeller TPHD 230/SHJ	1.4409		--				244-000407				
	Impeller TPHD 230/MG	1.4409		--				244-001536				
	Impeller TPHD 235/SHJ	1.4409		--				244-001124				
	Impeller TPHD 235/MG	1.4409		--				244-001537				
	Impeller TPHD 240/SHJ	1.4409		--				244-000408				
	Impeller TPHD 240/MG	1.4409		--				244-001538				
	Impeller TPHD 245/SHJ	1.4409		--				244-001125				
	Impeller TPHD 245/MG	1.4409		--				244-001539				
	Impeller TPHD 250/SHJ	1.4409		--				244-000409				
	Impeller TPHD 250/MG	1.4409		--				244-001540				
3	Pump cover TPS *	1.4404		*					*			
	Pump cover VTPS with drainage *	1.4404		*					*			
4	Pump housing TPS/EW	1.4404		244-001759					244-001594			
	Pump housing TPS/DW	1.4404		244-001977					244-001815			
	Pump housing TPS/QU	1.4404		244-001976					244-001814			
5	Lantern TP 132	1.4301	244-000015	--	--	--	--	--	--	--	--	--
	Lantern TP 180	1.4301	--	244-000193	--	--	244-000193	244-000193	--	--	--	--
	Lantern TP 200	1.4301	--	--	--	244-000341	--	--	--	244-000341	--	--
	Lantern TP 225	1.4301	--	--	--	--	--	--	--	--	--	244-000334

Item	Designation	Material	Pump type TPS				Pump type TPS 8080			
			132S / 132M	8050 / 160M / 160L	200L	160M / 160L	180M / 180L	200L	225M	
7	Shaft TP	1.4301	244-000352	244-000351	244-000329	244-000351	244-000349	244-000329	244-000329	
30	O-ring	EPDM	930-757				930-757			
		FKM	930-761				930-761			
35	O-ring	EPDM	930-892				930-891			
		FKM	930-761				930-890			
40	Hex screw	A2-70	901-379				901-379			
44	Hex screw	A2-70	901-149	901-243	901-245	901-243	901-243	901-245	901-243	
45	Round plug	PE-LD	922-334	922-334	--	922-334	922-334	--	--	
46	Lamellar plug	PE-LD	922-355	922-355	--	922-355	922-355	--	--	
47	Cap nut	A2	912-005				912-005			
48	Cap nut	A2	912-134				912-134			
49	Hex nut	A2	910-029	910-043	910-043	910-043	910-043	910-043	910-043	
50	Disk	1.4301	921-021	921-104	921-104	921-104	921-104	921-104	921-104	
51	Cylindrical head screw with hexagon socket	A2-70	902-140	902-141	902-141	902-141	902-141	902-141	902-141	
55	Feather key **	1.0503	244-002001	244-002002	244-002003	244-002002	244-000410	244-002003	244-000340	
56	Spacer ***	PVC	244-000365				244-000365			
57	Round plug	PE-LD	922-272				922-272			
58	Inducer	1.4404	244-001993				244-001956			
59	Clamp	1.4408	701-009				701-009			
60	Hex screw	A2-70	901-296				901-296			
61	Hex nut	A2	910-025				910-025			
62	O-ring	EPDM	930-844				930-844			
		FKM	930-843				930-843			
63	Flange TPS *	1.4404	*				*			
64	O-ring	EPDM	930-609				930-609			
		FKM	930-661				930-661			
	Sealing set	EPDM	244-001978				244-001883			
		FKM	244-001979				244-001884			

Spare parts list - GEA Hilge TPS centrifugal pump

Item	Designation	Material	Pump type TPS			Pump type TPS 8080		
			132S / 132M	8050 160M / 160L	200L	160M / 160L	180M / 180L	200L
A	Mechanical seal		See spare parts lists mechanical seal EW, DW and QU for centrifugal pump TP and TPS					
* item 3 and item 63 - pump cover and flange TPS are available with connection fitting only on request. ** Feather keys for standard motor *** item 56 is without figure. Spacer is a tool to set the axial gap.								

