

1 Spare parts list - GEA Hilge TP centrifugal pump with IEC motor

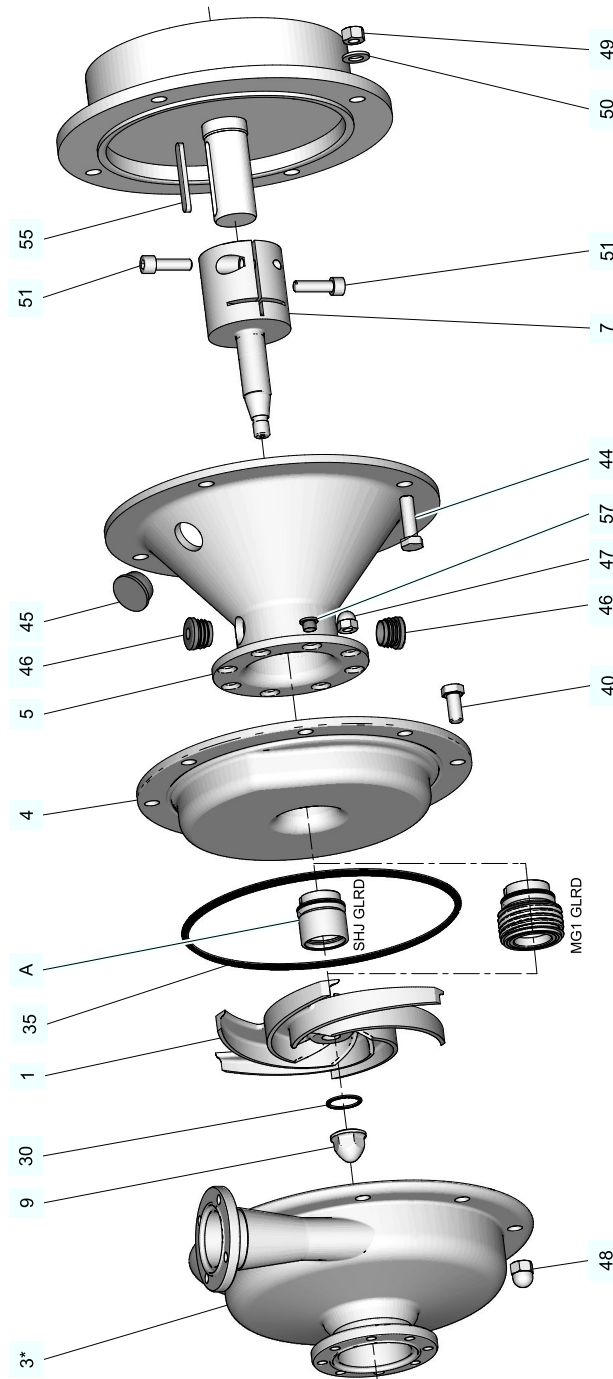


Fig.1

Spare parts list - GEA Hilge TP centrifugal pump with IEC motor

| Item | Designation | Material | Pump type TP 1020 | | | | Pump type TP 2030 | | | | | |
|-----------------------|-----------------------|----------|-------------------|------------|-----------|-------------|-------------------|------------|------------|-------------|------|------|
| | | | Motor size | 80 | 90S / 90L | 100L / 112M | 132S | 80 | 90S / 90L | 100L / 112M | 132S | 160M |
| 1 | Impeller TPHD 80/SHJ | 1.4409 | | 244-000153 | | | | | | | | |
| | Impeller TPHD 80/MG | 1.4409 | | -- | | | | | | | | |
| | Impeller TPHD 90/SHJ | 1.4409 | | 244-000152 | | | | | | | | |
| | Impeller TPHD 90/MG | 1.4409 | | -- | | | | | | | | |
| | Impeller TPHD 100/SHJ | 1.4409 | | 244-000151 | | | | | 244-001165 | | | |
| | Impeller TPHD 100/MG | 1.4409 | | -- | | | | | 244-001543 | | | |
| | Impeller TPHD 110/SHJ | 1.4409 | | 244-000150 | | | | | 244-000148 | | | |
| | Impeller TPHD 110/MG | 1.4409 | | -- | | | | | 244-001544 | | | |
| | Impeller TPHD 120/SHJ | 1.4409 | | 244-000149 | | | | | 244-000147 | | | |
| | Impeller TPHD 120/MG | 1.4409 | | -- | | | | | 244-001545 | | | |
| | Impeller TPHD 130/SHJ | 1.4409 | | 244-000161 | | | | | 244-000146 | | | |
| | Impeller TPHD 130/MG | 1.4409 | | -- | | | | | 244-001546 | | | |
| | Impeller TPHD 140/SHJ | 1.4409 | | -- | | | | | 244-000145 | | | |
| | Impeller TPHD 140/MG | 1.4409 | | -- | | | | | 244-001547 | | | |
| | Impeller TPHD 145/SHJ | 1.4409 | | -- | | | | | 244-001102 | | | |
| | Impeller TPHD 145/MG | 1.4409 | | -- | | | | | 244-001548 | | | |
| | Impeller TPHD 150/SHJ | 1.4409 | | -- | | | | | 244-000144 | | | |
| Impeller TPHD 150/MG | 1.4409 | | -- | | | | | 244-001549 | | | | |
| Impeller TPHD 155/SHJ | 1.4409 | | -- | | | | | 244-001103 | | | | |
| Impeller TPHD 155/MG | 1.4409 | | -- | | | | | 244-001550 | | | | |
| Impeller TPHD 160/SHJ | 1.4409 | | -- | | | | | 244-000160 | | | | |
| Impeller TPHD 160/MG | 1.4409 | | -- | | | | | 244-001551 | | | | |
| Impeller TPHD 165/SHJ | 1.4409 | | -- | | | | | -- | | | | |
| Impeller TPHD 165/MG | 1.4409 | | -- | | | | | -- | | | | |
| Impeller TPHD 170/SHJ | 1.4409 | | -- | | | | | -- | | | | |
| Impeller TPHD 170/MG | 1.4409 | | -- | | | | | -- | | | | |
| Impeller TPHD 175/SHJ | 1.4409 | | -- | | | | | -- | | | | |
| Impeller TPHD 175/MG | 1.4409 | | -- | | | | | -- | | | | |
| Impeller TPHD 180/SHJ | 1.4409 | | -- | | | | | -- | | | | |

Spare parts list - GEA Hilde TP centrifugal pump with IEC motor

| Item | Designation | Material | Pump type TP 1020 | | | | Pump type TP 2030 | | | | | | | |
|------|----------------------------------|----------|-------------------|------------|-------------|------------|-------------------|------------|-------------|------------|------------|------------|------------|------------|
| | | | 80 | 90S / 90L | 100L / 112M | 132S | 80 | 90S / 90L | 100L / 112M | 132S | 160M | | | |
| | Impeller TPHD 180/MG | 1.4409 | -- | -- | -- | -- | -- | -- | -- | -- | -- | -- | -- | -- |
| | Impeller TPHD 190/SHJ | 1.4409 | -- | -- | -- | -- | -- | -- | -- | -- | -- | -- | -- | -- |
| | Impeller TPHD 190/MG | 1.4409 | -- | -- | -- | -- | -- | -- | -- | -- | -- | -- | -- | -- |
| | Impeller TPHD 200/SHJ | 1.4409 | -- | -- | -- | -- | -- | -- | -- | -- | -- | -- | -- | -- |
| | Impeller TPHD 200/MG | 1.4409 | -- | -- | -- | -- | -- | -- | -- | -- | -- | -- | -- | -- |
| | Impeller TPHD 210/SHJ | 1.4409 | -- | -- | -- | -- | -- | -- | -- | -- | -- | -- | -- | -- |
| | Impeller TPHD 210/MG | 1.4409 | -- | -- | -- | -- | -- | -- | -- | -- | -- | -- | -- | -- |
| 3 | Pump cover* | 1.4404 | | | | | | | | * | | | | |
| | Pump cover with drainage valve * | | | | | | | | | | | | | |
| | on request | | | | | | | | | | | | | |
| 4 | Pump housing TP/EW | 1.4404 | | 244-000537 | | | | | | | | | 244-000536 | |
| | Pump housing TP/DW | 1.4404 | | 244-000082 | | | | | | | | | 244-000055 | |
| | Pump housing TP/QU | 1.4404 | | 244-000083 | | | | | | | | | 244-000056 | |
| 5 | Lantern TP 90 | 1.4301 | 244-000049 | 244-000049 | -- | -- | 244-000049 | 244-000049 | 244-000049 | 244-000049 | 244-000049 | 244-000049 | -- | -- |
| | Lantern TP 112 | 1.4301 | -- | -- | 244-000028 | -- | -- | -- | -- | -- | 244-000028 | -- | -- | -- |
| | Lantern TP 132 | 1.4301 | -- | -- | -- | -- | 244-000015 | -- | -- | -- | -- | 244-000015 | -- | -- |
| | Lantern TP 180 | 1.4301 | -- | -- | -- | -- | -- | -- | -- | -- | -- | -- | -- | 244-000193 |
| 7 | Shaft TP | 1.4301 | 244-000047 | 244-000048 | 244-000025 | 244-000023 | 244-000047 | 244-000048 | 244-000025 | 244-000023 | 244-000025 | 244-000023 | 244-000190 | |
| 9 | Cap nut | 1.4404 | | 244-000024 | | | | | | | | | 244-146.01 | |
| 30 | O-ring | EPDM | | 930-270 | | | | | | | | | 930-756 | |
| | | FKM | | 930-163 | | | | | | | | | 930-759 | |
| 35 | O-ring | EPDM | | 930-844 | | | | | | | | | 930-840 | |
| | | FKM | | 930-843 | | | | | | | | | 930-841 | |
| 40 | Hex screw | A2-70 | | 901-043 | | | | | | | | | 901-092 | |
| 44 | Hex screw | A2-70 | 901-097 | 901-097 | 901-149 | 901-149 | 901-097 | 901-097 | 901-149 | 901-149 | 901-149 | 901-149 | 901-149 | 901-243 |
| 45 | Round plug | PE-LD | 922-355 | 922-355 | 922-334 | 922-334 | 922-355 | 922-355 | 922-334 | 922-334 | 922-334 | 922-334 | 922-334 | 922-334 |
| 46 | Lamellar plug | PE-LD | 922-355 | 922-355 | 922-355 | 922-355 | 922-355 | 922-355 | 922-355 | 922-355 | 922-355 | 922-355 | 922-355 | 922-355 |
| 47 | Cap nut | A2 | | 912-005 | | | | | | | | | 912-005 | |
| 48 | Cap nut | A2 | | 912-004 | | | | | | | | | 912-005 | |
| 49 | Hex nut | A2 | 910-026 | 910-026 | 910-029 | 910-029 | 910-026 | 910-026 | 910-029 | 910-029 | 910-029 | 910-029 | 910-029 | 910-043 |

| Item | Designation | Material | Pump type TP 1020 | | | | Pump type TP 2030 | | | | |
|------|--|--|-------------------|------------|-------------|------------|-------------------|------------|-------------|------------|------------|
| | | | 80 | 90S / 90L | 100L / 112M | 132S | 80 | 90S / 90L | 100L / 112M | 132S | 160M |
| 50 | Disk | 1.4301 | 921-018 | 921-018 | 921-021 | 921-021 | 921-018 | 921-018 | 921-021 | 921-021 | 921-104 |
| 51 | Cylindrical head screw with hexagon socket | A2-70 | 902-139 | 902-139 | 902-140 | 902-140 | 902-139 | 902-139 | 902-140 | 902-140 | 902-141 |
| 55 | Feather key ** | 1.0503 | 244-001998 | 244-001999 | 244-002000 | 244-002001 | 244-001998 | 244-001999 | 244-002000 | 244-002001 | 244-002002 |
| 56 | Spacer *** | PVC | 244-000186 | | | | 244-000185 | | | | |
| 57 | Round plug | PE-LD | 922-272 | | | | 922-272 | | | | |
| | Sealing set | EPDM | 244-000125 | | | | 244-000127 | | | | |
| | | FKM | 244-000128 | | | | 244-000130 | | | | |
| A | Mechanical seal | See spare parts list EW, DW and QU for centrifugal pump TP | | | | | | | | | |

* item 3 - pump cover is available only on request with connection fitting
 ** Feather keys for standard motor
 *** item 56 is without figure. Spacer is a tool to set the axial gap.

Spare parts list - GEA Hilge TP centrifugal pump with IEC motor

| Item | Designation | Material | Pump type TP 1540 | | | | |
|-----------------------|-----------------------|----------|-------------------|------------|-------------|------|------|
| | | | 80 | 90S / 90L | 100L / 112M | 132S | 160M |
| 1 | Impeller TPHD 80/SHJ | 1.4409 | | | -- | | |
| | Impeller TPHD 80/MG | 1.4409 | | | -- | | |
| | Impeller TPHD 90/SHJ | 1.4409 | | | -- | | |
| | Impeller TPHD 90/MG | 1.4409 | | | -- | | |
| | Impeller TPHD 100/SHJ | 1.4409 | | | -- | | |
| | Impeller TPHD 100/MG | 1.4409 | | | -- | | |
| | Impeller TPHD 110/SHJ | 1.4409 | | | -- | | |
| | Impeller TPHD 110/MG | 1.4409 | | | -- | | |
| | Impeller TPHD 120/SHJ | 1.4409 | | | -- | | |
| | Impeller TPHD 120/MG | 1.4409 | | | -- | | |
| | Impeller TPHD 130/SHJ | 1.4409 | | | 244-000158 | | |
| | Impeller TPHD 130/MG | 1.4409 | | | 244-001527 | | |
| | Impeller TPHD 140/SHJ | 1.4409 | | | 244-000157 | | |
| | Impeller TPHD 140/MG | 1.4409 | | | 244-001526 | | |
| | Impeller TPHD 145/SHJ | 1.4409 | | | 244-001104 | | |
| | Impeller TPHD 145/MG | 1.4409 | | | 244-001525 | | |
| | Impeller TPHD 150/SHJ | 1.4409 | | | 244-000156 | | |
| | Impeller TPHD 150/MG | 1.4409 | | | 244-001524 | | |
| | Impeller TPHD 155/SHJ | 1.4409 | | | 244-001105 | | |
| Impeller TPHD 155/MG | 1.4409 | | | 244-001523 | | | |
| Impeller TPHD 160/SHJ | 1.4409 | | | 244-000155 | | | |
| Impeller TPHD 160/MG | 1.4409 | | | 244-001522 | | | |
| Impeller TPHD 165/SHJ | 1.4409 | | | 244-001105 | | | |
| Impeller TPHD 165/MG | 1.4409 | | | 244-001521 | | | |
| Impeller TPHD 170/SHJ | 1.4409 | | | 244-000154 | | | |
| Impeller TPHD 170/MG | 1.4409 | | | 244-001520 | | | |
| Impeller TPHD 175/SHJ | 1.4409 | | | 244-001107 | | | |
| Impeller TPHD 175/MG | 1.4409 | | | 244-001482 | | | |
| Impeller TPHD 180/SHJ | 1.4409 | | | 244-000159 | | | |

Spare parts list - GEA Hilge TP centrifugal pump with IEC motor

| Item | Designation | Material | Pump type TP 1540 | | | | |
|------|----------------------------------|----------|-------------------|------------|-------------|------------|------------|
| | | | 80 | 90S / 90L | 100L / 112M | 132S | 160M |
| | Impeller TPHD 180/MG | 1.4409 | | | 244-001519 | | |
| | Impeller TPHD 190/SHJ | 1.4409 | | | -- | | |
| | Impeller TPHD 190/MG | 1.4409 | | | -- | | |
| | Impeller TPHD 200/SHJ | 1.4409 | | | -- | | |
| | Impeller TPHD 200/MG | 1.4409 | | | -- | | |
| | Impeller TPHD 210/SHJ | 1.4409 | | | -- | | |
| | Impeller TPHD 210/MG | 1.4409 | | | -- | | |
| 3 | Pump cover* | 1.4404 | | | * | | |
| | Pump cover with drainage valve * | | | on request | | | |
| | Pump housing TP/EW | 1.4404 | | | 244-000538 | | |
| 4 | Pump housing TP/DW | 1.4404 | | | 244-000080 | | |
| | Pump housing TP/QU | 1.4404 | | | 244-000081 | | |
| | Lantern TP 90 | 1.4301 | 244-000049 | 244-000049 | -- | -- | -- |
| 5 | Lantern TP 112 | 1.4301 | -- | -- | 244-000028 | -- | -- |
| | Lantern TP 132 | 1.4301 | -- | -- | -- | 244-000015 | -- |
| | Lantern TP 180 | 1.4301 | -- | -- | -- | -- | 244-000193 |
| 7 | Shaft TP | 1.4301 | 244-000047 | 244-000048 | 244-000025 | 244-00023 | 244-000190 |
| 9 | Cap nut | 1.4404 | | | 244-146.01 | | |
| 30 | O-ring | EPDM | | | 930-756 | | |
| | | FKM | | | 930-759 | | |
| 35 | O-ring | EPDM | | | 930-845 | | |
| | | FKM | | | 930-842 | | |
| 40 | Hex screw | A2-70 | | | 901-380 | | |
| 44 | Hex screw | A2-70 | 901-097 | 901-097 | 901-149 | 901-149 | 901-243 |
| 45 | Round plug | PE-LD | 922-355 | 922-355 | 922-334 | 922-334 | 922-334 |
| 46 | Lamellar plug | PE-LD | 922-355 | 922-355 | 922-355 | 922-355 | 922-355 |
| 47 | Cap nut | A2 | | | 912-005 | | |
| 48 | Cap nut | A2 | | | 912-008 | | |
| 49 | Hex nut | A2 | 910-026 | 910-026 | 910-029 | 910-029 | 910-043 |

| Item | Designation | Material | Pump type TP 1540 | | | | |
|------|--|--|-------------------|------------|-------------|------------|------------|
| | | | 80 | 90S / 90L | 100L / 112M | 132S | 160M |
| 50 | Disk | 1.4301 | 921-018 | 921-018 | 921-021 | 921-021 | 921-104 |
| 51 | Cylindrical head screw with hexagon socket | A2-70 | 902-139 | 902-139 | 902-140 | 902-140 | 902-141 |
| 55 | Feather key ** | 1.0503 | 244-001998 | 244-001999 | 244-002000 | 244-002001 | 244-002002 |
| 56 | Spacer *** | PVC | 244-000184 | | | | |
| 57 | Round plug | PE-LD | 922-272 | | | | |
| | Sealing set | EPDM | 244-000126 | | | | |
| | | FKM | 244-000129 | | | | |
| A | Mechanical seal | See spare parts list EW, DW and QU for centrifugal pump TP | | | | | |

* pos. 3 - pump cover is available only on request with connection fitting
** Feather keys for standard motor
*** item 56 is without figure. Spacer is a tool to set the axial gap.

Spare parts list - GEA Hilge TP centrifugal pump with IEC motor

| Item | Designation | Material | Pump type TP 2050 | | | | | Pump type TP 3050 | | | | | |
|--------------------------|--------------------------|----------|-------------------|------------|------------|-----------|-----------|-------------------|------------|------------|-----------|-----------|-----------|
| | | | Motor size | 80 | 90S/90L | 100L/112M | 132S/132M | 160M/160L | 80 | 90S/90L | 100L/112M | 132S/132M | 160M/160L |
| 1 | Impeller TPHD 140/SHJ | 1.4409 | | | -- | | | | | 244-000325 | | | |
| | Impeller TPHD 140/MG | 1.4409 | | | -- | | | | | 244-001508 | | | |
| | Impeller TPHD 150/SHJ | 1.4409 | | | -- | | | | | 244-000324 | | | |
| | Impeller TPHD 150/MG | 1.4409 | | | -- | | | | | 244-001509 | | | |
| | Impeller TPHD 155/SHJ | 1.4409 | | | -- | | | | | -- | | | |
| | Impeller TPHD 155/MG | 1.4409 | | | -- | | | | | -- | | | |
| | Impeller TPHD 160/SHJ | 1.4409 | | | 244-001009 | | | | | 244-000212 | | | |
| | Impeller TPHD 160/MG | 1.4409 | | | 244-001490 | | | | | 244-001510 | | | |
| | Impeller TPHD 165/SHJ | 1.4409 | | | -- | | | | | -- | | | |
| | Impeller TPHD 165/MG | 1.4409 | | | -- | | | | | -- | | | |
| | Impeller TPHD 170/SHJ | 1.4409 | | | 244-001008 | | | | | 244-000213 | | | |
| | Impeller TPHD 170/MG | 1.4409 | | | 244-001491 | | | | | 244-001511 | | | |
| | Impeller TPHD 175/SHJ | 1.4409 | | | -- | | | | | 244-001097 | | | |
| | Impeller TPHD 175/MG | 1.4409 | | | -- | | | | | 244-001512 | | | |
| Impeller TPHD 180/SHJ | 1.4409 | | | 244-001007 | | | | | 244-000214 | | | | |
| Impeller TPHD 180/MG | 1.4409 | | | 244-001492 | | | | | 244-001513 | | | | |
| Impeller TPHD 185/SHJ | 1.4409 | | | 244-001100 | | | | | 244-001071 | | | | |

Spare parts list - GEA Hilde TP centrifugal pump with IEC motor

| Item | Designation | Material | Pump type TP 2050 | | | | | Pump type TP 3050 | | | | | |
|------|--------------------------|----------|-------------------|----|------------|-----------|-----------|-------------------|----|------------|-----------|-----------|-----------|
| | | | Motor size | 80 | 90S/90L | 100L/112M | 132S/132M | 160M/160L | 80 | 90S/90L | 100L/112M | 132S/132M | 160M/160L |
| | Impeller TPHD 185/MG | 1.4409 | | | 244-001493 | | | | | 244-001514 | | | |
| | Impeller TPHD 190/SHJ | 1.4409 | | | 244-001006 | | | | | 244-000215 | | | |
| | Impeller TPHD 190/MG | 1.4409 | | | 244-001494 | | | | | 244-001515 | | | |
| | Impeller TPHD 195/SHJ | 1.4409 | | | 244-001101 | | | | | 244-001098 | | | |
| | Impeller TPHD 195/MG | 1.4409 | | | 244-001496 | | | | | 244-001516 | | | |
| | Impeller TPHD 200/SHJ | 1.4409 | | | 244-001005 | | | | | 244-000258 | | | |
| | Impeller TPHD 200/MG | 1.4409 | | | 244-001498 | | | | | 244-001517 | | | |
| | Impeller TPHD 205/SHJ | 1.4409 | | | 244-001068 | | | | | 244-001099 | | | |
| | Impeller TPHD 205/MG | 1.4409 | | | 244-001499 | | | | | 244-001518 | | | |
| | Impeller TPHD 210/SHJ | 1.4409 | | | 244-001004 | | | | | 244-000259 | | | |
| | Impeller TPHD 210/MG | 1.4409 | | | 244-001483 | | | | | 244-001485 | | | |
| | Impeller TPHD 215/SHJ | 1.4409 | | | -- | | | | | -- | | | |
| | Impeller TPHD 215/MG | 1.4409 | | | -- | | | | | -- | | | |
| | Impeller TPHD 220/SHJ | 1.4409 | | | -- | | | | | -- | | | |
| | Impeller TPHD 220/MG | 1.4409 | | | -- | | | | | -- | | | |
| | Impeller TPHD 225/SHJ | 1.4409 | | | -- | | | | | -- | | | |
| | Impeller TPHD 225/MG | 1.4409 | | | -- | | | | | -- | | | |

Spare parts list - GEA Hilge TP centrifugal pump with IEC motor

| Item | Designation | Material | Pump type TP 2050 | | | | | | Pump type TP 3050 | | | | | |
|------|--------------------------------|----------|-------------------|------------|------------|------------|------------|------------|-------------------|------------|------------|------------|------------|------------|
| | | | Motor size | 80 | 90S/90L | 100L/112M | 132S/132M | 160M/160L | 80 | 90S/90L | 100L/112M | 132S/132M | 160M/160L | 180M |
| | Impeller TPHD 230/SHJ | 1.4409 | | | -- | | | | | -- | | | | |
| | Impeller TPHD 230/MG | 1.4409 | | | -- | | | | | -- | | | | |
| | Impeller TPHD 240/SHJ | 1.4409 | | | -- | | | | | -- | | | | |
| | Impeller TPHD 240/MG | 1.4409 | | | -- | | | | | -- | | | | |
| | Impeller TPHD 250/SHJ | 1.4409 | | | -- | | | | | -- | | | | |
| | Impeller TPHD 250/MG | 1.4409 | | | -- | | | | | -- | | | | |
| 3 | Pump cover | 1.4404 | | | | | | | | | | | | |
| | Pump cover with drainage valve | | | | | | | | | | | | | |
| | | | | | | | | | | | | | | |
| 4 | Pump housing TP/EW | 1.4404 | | | 244-001010 | | | | | | | | 244-000802 | |
| | Pump housing TP/DW | 1.4404 | | | 244-001011 | | | | | | | | 244-000804 | |
| | Pump housing TP/QU | 1.4404 | | | 244-001012 | | | | | | | | 244-000803 | |
| 5 | Lantern TP 90 | 1.4301 | -- | 244-000049 | -- | -- | -- | 244-000049 | 244-000049 | -- | -- | -- | -- | -- |
| | Lantern TP112 | 1.4301 | -- | -- | 244-000028 | -- | -- | -- | -- | -- | -- | -- | -- | -- |
| | Lantern TP132 | 1.4301 | -- | -- | -- | 244-000015 | -- | -- | -- | 244-000015 | -- | -- | 244-000015 | -- |
| | Lantern TP180 | 1.4301 | -- | -- | -- | -- | 244-000193 | -- | -- | -- | -- | 244-000193 | 244-000193 | 244-000193 |
| | Lantern TP200 | 1.4301 | -- | -- | -- | -- | -- | -- | -- | -- | -- | -- | -- | -- |
| 7 | Shaft TP | 1.4301 | -- | 244-000048 | 244-000025 | 244-000023 | 244-000190 | 244-000047 | 244-000048 | 244-000025 | 244-000023 | 244-000190 | 244-000190 | 244-000815 |
| 9 | Cap nut | 1.4404 | | | 244-146.01 | | | | | | | | 244-146.01 | |
| 30 | O-ring | EPDM | | | 930-756 | | | | | | | | 930-756 | |
| | | FKM | | | 930-759 | | | | | | | | 930-759 | |

| Item | Designation | Material | Pump type TP 2050 | | | | | Pump type TP 3050 | | | | | | |
|------|--|----------|--|------------|------------|------------|------------|-------------------|------------|------------|------------|------------|------------|------------|
| | | | Motor size | 80 | 90S/90L | 100L/112M | 132S/132M | 160M/160L | 80 | 90S/90L | 100L/112M | 132S/132M | 160M/160L | 180M |
| 35 | O-ring | EPDM | | | 930-868 | | | | | 930-868 | | | | |
| 40 | Hexagonal screw | FKM | | | 930-869 | | | | | 930-869 | | | | |
| 44 | Hexagonal screw | A2-70 | | | 901-140 | | | | | 901-140 | | | | |
| 44 | Hexagonal screw | A2-70 | 901-097 | 901-097 | 901-149 | 901-149 | 901-243 | 901-243 | 901-149 | 901-149 | 901-149 | 901-243 | 901-243 | 901-243 |
| 45 | Round plug | PE-LD | 922-355 | 922-355 | 922-334 | 922-334 | 922-334 | 922-334 | 922-355 | 922-355 | 922-334 | 922-334 | 922-334 | 922-334 |
| 46 | Lamellar plug | PE-LD | 922-355 | 922-355 | 922-355 | 922-355 | 922-355 | 922-355 | 922-355 | 922-355 | 922-355 | 922-355 | 922-355 | 922-355 |
| 47 | Cap nut | A2 | | | 912-005 | | | | | 912-005 | | | | |
| 48 | Cap nut | A2 | | | 912-008 | | | | | 912-008 | | | | |
| 49 | Hexagonal nut | A2 | 910-026 | 910-026 | 910-029 | 910-029 | 910-043 | 910-043 | 910-026 | 910-026 | 910-029 | 910-043 | 910-043 | 910-043 |
| 50 | Disk | 1.4301 | 921-018 | 921-018 | 921-021 | 921-021 | 921-021 | 921-021 | 921-018 | 921-018 | 921-021 | 921-104 | 921-104 | 921-104 |
| 51 | Cylindrical head screw with hexagon socket | A2-70 | 902-139 | 902-139 | 902-140 | 902-140 | 902-140 | 902-140 | 902-139 | 902-139 | 902-140 | 902-140 | 902-140 | 902-141 |
| 55 | Feather key ** | 1.0503 | 244-001998 | 244-001999 | 244-002000 | 244-002001 | 244-002002 | 244-002002 | 244-001998 | 244-001999 | 244-002000 | 244-002001 | 244-002002 | 244-000410 |
| 56 | Spacer *** | PVC | | | 244-000306 | | | | | 244-000306 | | | | |
| 57 | Round plug | PE-LD | | | 922-272 | | | | | 922-272 | | | | |
| | Sealing set | EPDM | | | 244-001024 | | | | | 244-000221 | | | | |
| | | FKM | | | 244-001032 | | | | | 244-000222 | | | | |
| A | Mechanical seal | | See spare parts list EW, DW and QU for centrifugal pump TP | | | | | | | | | | | |

* pos. 3 - pump cover is available only on request with connection fitting

** Feather keys for standard motor

*** item 56 is without figure. Spacer is a tool to set the axial gap.

Spare parts list - GEA Hilge TP centrifugal pump with IEC motor

| Item | Designation | Material | Pump type TP 5060 | | | | |
|-----------------------|-----------------------|------------|-------------------|-----------|-----------|-----------|------|
| | | | 100L/112M | 132M/132S | 160M/160L | 180M/180L | 200L |
| 1 | Impeller TPHD 140/SHJ | 1.4409 | | | -- | | |
| | Impeller TPHD 140/MG | 1.4409 | | -- | | | |
| | Impeller TPHD 150/SHJ | 1.4409 | | -- | | | |
| | Impeller TPHD 150/MG | 1.4409 | | -- | | | |
| | Impeller TPHD 155/SHJ | 1.4409 | 244-001112 | | | | |
| | Impeller TPHD 155/MG | 1.4409 | 244-001340 | | | | |
| | Impeller TPHD 160/SHJ | 1.4409 | 244-001113 | | | | |
| | Impeller TPHD 160/MG | 1.4409 | 244-001341 | | | | |
| | Impeller TPHD 165/SHJ | 1.4409 | 244-001114 | | | | |
| | Impeller TPHD 165/MG | 1.4409 | 244-001342 | | | | |
| | Impeller TPHD 170/SHJ | 1.4409 | 244-001115 | | | | |
| | Impeller TPHD 170/MG | 1.4409 | 244-001343 | | | | |
| | Impeller TPHD 175/SHJ | 1.4409 | 244-000426 | | | | |
| | Impeller TPHD 175/MG | 1.4409 | 244-001344 | | | | |
| | Impeller TPHD 180/SHJ | 1.4409 | 244-001116 | | | | |
| | Impeller TPHD 180/MG | 1.4409 | 244-001345 | | | | |
| | Impeller TPHD 185/SHJ | 1.4409 | 244-000427 | | | | |
| | Impeller TPHD 185/MG | 1.4409 | 244-001348 | | | | |
| | Impeller TPHD 190/SHJ | 1.4409 | 244-001117 | | | | |
| | Impeller TPHD 190/MG | 1.4409 | 244-001346 | | | | |
| Impeller TPHD 195/SHJ | 1.4409 | 244-000429 | | | | | |
| Impeller TPHD 195/MG | 1.4409 | 244-001347 | | | | | |
| Impeller TPHD 200/SHJ | 1.4409 | 244-001118 | | | | | |
| Impeller TPHD 200/MG | 1.4409 | 244-001349 | | | | | |
| Impeller TPHD 205/SHJ | 1.4409 | 244-000430 | | | | | |
| Impeller TPHD 205/MG | 1.4409 | 244-001350 | | | | | |
| Impeller TPHD 210/SHJ | 1.4409 | 244-001119 | | | | | |
| Impeller TPHD 210/MG | 1.4409 | 244-001351 | | | | | |
| Impeller TPHD 215/SHJ | 1.4409 | 244-000431 | | | | | |

| Item | Designation | Material | Pump type TP 5060 | | | | |
|------|----------------------------------|----------|-------------------|------------|------------|------------|------------|
| | | | 100L/112M | 132M/132S | 160M/160L | 180M/180L | 200L |
| | Impeller TPHD 215/MG | 1.4409 | | | 244-001352 | | |
| | Impeller TPHD 220/SHJ | 1.4409 | | | 244-001120 | | |
| | Impeller TPHD 220/MG | 1.4409 | | | 244-001353 | | |
| | Impeller TPHD 225/SHJ | 1.4409 | | | 244-000432 | | |
| | Impeller TPHD 225/MG | 1.4409 | | | 244-001354 | | |
| | Impeller TPHD 230/SHJ | 1.4409 | | | -- | | |
| | Impeller TPHD 230/MG | 1.4409 | | | -- | | |
| | Impeller TPHD 240/SHJ | 1.4409 | | | -- | | |
| | Impeller TPHD 240/MG | 1.4409 | | | -- | | |
| | Impeller TPHD 250/SHJ | 1.4409 | | | -- | | |
| | Impeller TPHD 250/MG | 1.4409 | | | -- | | |
| 3 | Pump cover* | 1.4404 | | | * | | |
| | Pump cover with drainage valve * | | | | on request | | |
| 4 | Pump housing TP/EW | 1.4404 | | | 244-000808 | | |
| | Pump housing TP/DW | 1.4404 | | | 244-000810 | | |
| | Pump housing TP/QU | 1.4404 | | | 244-000809 | | |
| 5 | Lantern TP 90 | 1.4301 | -- | -- | -- | -- | -- |
| | Lantern TP 112 | 1.4301 | 244-000028 | -- | -- | -- | -- |
| | Lantern TP 132 | 1.4301 | -- | 244-000015 | -- | -- | -- |
| | Lantern TP 180 | 1.4301 | -- | -- | 244-000193 | 244-000193 | -- |
| | Lantern TP 200 | 1.4301 | -- | -- | -- | -- | 244-001280 |
| 7 | Shaft TP | 1.4301 | 244-000350 | 244-000352 | 244-000351 | 244-000349 | 244-000329 |
| 9 | Cap nut | 1.4404 | | | 244-146.02 | | |
| 30 | O-ring | EPDM | | | 930-757 | | |
| | | FKM | | | 930-761 | | |
| 35 | O-ring | EPDM | | | 930-315 | | |
| | | FKM | | | 930-748 | | |
| 40 | Hex screw | A2-70 | | | 901-140 | | |
| 44 | Hex screw | A2-70 | 901-149 | 901-149 | 901-243 | 901-243 | 901-245 |

Spare parts list - GEA Hilge TP centrifugal pump with IEC motor

| Item | Designation | Material | Pump type TP 5060 | | | | | |
|------|--|--|-------------------|------------|------------|------------|------------|---------|
| | | | 100L/112M | 132M/132S | 160M/160L | 180M/180L | 200L | |
| 45 | Round plug | PE-LD | 922-334 | 922-334 | 922-334 | 922-334 | 922-334 | 922-334 |
| 46 | Lamellar plug | PE-LD | 922-355 | 922-355 | 922-355 | 922-355 | 922-355 | 922-355 |
| 47 | Cap nut | A2 | 912-005 | | | | | |
| 48 | Cap nut | A2 | 912-008 | | | | | |
| 49 | Hex nut | A2 | 910-029 | 910-029 | 910-043 | 910-043 | 910-043 | 910-043 |
| 50 | Disk | 1.4301 | 921-021 | 921-021 | 921-104 | 921-104 | 921-104 | 921-104 |
| 51 | Cylindrical head screw with hexagon socket | A2-70 | 902-140 | 902-140 | 902-141 | 902-141 | 902-141 | 902-141 |
| 55 | Feather key ** | 1.0503 | 244-002000 | 244-002001 | 244-002002 | 244-000410 | 244-002003 | |
| 56 | Spacer *** | PVC | 244-000366 | | | | | |
| 57 | Round plug | PE-LD | 922-272 | | | | | |
| | Sealing set | EPDM | 244-000458 | | | | | |
| | Mechanical seal | FKM | 244-000466 | | | | | |
| A | Mechanical seal | See spare parts list EW, DW and QU for centrifugal pump TP | | | | | | |

* pos. 3 - pump cover is available only on request with connection fitting

** Feather keys for standard motor

*** item 56 is without figure. Spacer is a tool to set the axial gap.

| Item | Designation | Material | Pump type TP 7060 | | | | Pump type TP 2575 | | | | | | | |
|------|-----------------------|----------|-------------------|-------------|-------------|-------------|-------------------|-------------|-------------|-------------|-------------|------------|------------|------------|
| | | | 100L / 112M | 132M / 132S | 160M / 160L | 180M / 180L | 200L | 100L / 112M | 132M / 132S | 160M / 160L | 180M / 180L | 200L | | |
| | Impeller TPHD 140/SHJ | 1.4409 | -- | -- | -- | -- | -- | -- | -- | -- | -- | -- | -- | -- |
| | Impeller TPHD 140/MG | 1.4409 | -- | -- | -- | -- | -- | -- | -- | -- | -- | -- | -- | -- |
| | Impeller TPHD 150/SHJ | 1.4409 | -- | -- | -- | -- | -- | -- | -- | -- | -- | -- | -- | -- |
| | Impeller TPHD 150/MG | 1.4409 | -- | -- | -- | -- | -- | -- | -- | -- | -- | -- | -- | -- |
| | Impeller TPHD 155/SHJ | 1.4409 | 244-001112 | 244-001340 | 244-001113 | 244-001341 | 244-001114 | 244-001342 | 244-001115 | 244-001343 | 244-000426 | 244-001344 | 244-001116 | 244-001345 |
| | Impeller TPHD 155/MG | 1.4409 | 244-001340 | 244-001113 | 244-001341 | 244-001114 | 244-001342 | 244-001115 | 244-001343 | 244-000426 | 244-001344 | 244-001116 | 244-001345 | 244-000427 |
| | Impeller TPHD 160/SHJ | 1.4409 | 244-001341 | 244-001114 | 244-001342 | 244-001115 | 244-001343 | 244-000426 | 244-001344 | 244-001116 | 244-001345 | 244-000427 | 244-001348 | 244-001117 |
| | Impeller TPHD 165/SHJ | 1.4409 | 244-001341 | 244-001114 | 244-001342 | 244-001115 | 244-001343 | 244-000426 | 244-001344 | 244-001116 | 244-001345 | 244-000427 | 244-001346 | 244-000429 |
| | Impeller TPHD 165/MG | 1.4409 | 244-001341 | 244-001114 | 244-001342 | 244-001115 | 244-001343 | 244-000426 | 244-001344 | 244-001116 | 244-001345 | 244-000427 | 244-001346 | 244-001347 |
| | Impeller TPHD 170/SHJ | 1.4409 | 244-001341 | 244-001114 | 244-001342 | 244-001115 | 244-001343 | 244-000426 | 244-001344 | 244-001116 | 244-001345 | 244-000427 | 244-001346 | 244-001347 |
| | Impeller TPHD 170/MG | 1.4409 | 244-001341 | 244-001114 | 244-001342 | 244-001115 | 244-001343 | 244-000426 | 244-001344 | 244-001116 | 244-001345 | 244-000427 | 244-001346 | 244-001347 |
| | Impeller TPHD 175/SHJ | 1.4409 | 244-000426 | 244-001344 | 244-001116 | 244-001345 | 244-000427 | 244-001348 | 244-001117 | 244-000429 | 244-001347 | 244-001118 | 244-001349 | 244-000430 |
| | Impeller TPHD 175/MG | 1.4409 | 244-001344 | 244-001116 | 244-001345 | 244-000427 | 244-001348 | 244-001117 | 244-000429 | 244-001347 | 244-001118 | 244-001349 | 244-000430 | 244-001350 |
| | Impeller TPHD 180/SHJ | 1.4409 | 244-001345 | 244-000427 | 244-001348 | 244-001117 | 244-000429 | 244-001347 | 244-001118 | 244-001349 | 244-000438 | 244-001522 | 244-000430 | 244-001350 |
| | Impeller TPHD 180/MG | 1.4409 | 244-001345 | 244-000427 | 244-001348 | 244-001117 | 244-000429 | 244-001347 | 244-001118 | 244-001349 | 244-000438 | 244-001522 | 244-000430 | 244-001350 |
| | Impeller TPHD 185/SHJ | 1.4409 | 244-000427 | 244-001348 | 244-001117 | 244-000429 | 244-001347 | 244-001118 | 244-001349 | 244-000438 | 244-001522 | 244-000430 | 244-001350 | 244-001351 |
| | Impeller TPHD 185/MG | 1.4409 | 244-001348 | 244-001117 | 244-000429 | 244-001347 | 244-001118 | 244-001349 | 244-000438 | 244-001522 | 244-000430 | 244-001350 | 244-001351 | 244-000439 |
| | Impeller TPHD 190/SHJ | 1.4409 | 244-001346 | 244-000429 | 244-001347 | 244-001118 | 244-001349 | 244-000438 | 244-001522 | 244-000430 | 244-001350 | 244-000439 | 244-001351 | 244-001553 |
| | Impeller TPHD 190/MG | 1.4409 | 244-001346 | 244-000429 | 244-001347 | 244-001118 | 244-001349 | 244-000438 | 244-001522 | 244-000430 | 244-001350 | 244-000439 | 244-001351 | 244-001553 |
| | Impeller TPHD 195/SHJ | 1.4409 | 244-000429 | 244-001347 | 244-001118 | 244-001349 | 244-000438 | 244-001522 | 244-000430 | 244-001350 | 244-000439 | 244-001351 | 244-001553 | 244-001553 |
| | Impeller TPHD 195/MG | 1.4409 | 244-001347 | 244-001118 | 244-001349 | 244-000438 | 244-001522 | 244-000430 | 244-001350 | 244-000439 | 244-001351 | 244-001553 | 244-001553 | 244-001553 |
| | Impeller TPHD 200/SHJ | 1.4409 | 244-001118 | 244-001349 | 244-000430 | 244-001350 | 244-000439 | 244-001351 | 244-000438 | 244-001522 | 244-000430 | 244-001350 | 244-000439 | 244-001553 |
| | Impeller TPHD 200/MG | 1.4409 | 244-001349 | 244-000430 | 244-001350 | 244-000439 | 244-001351 | 244-000438 | 244-001522 | 244-000430 | 244-001350 | 244-000439 | 244-001351 | 244-001553 |
| | Impeller TPHD 205/SHJ | 1.4409 | 244-000430 | 244-001350 | 244-000439 | 244-001351 | 244-000438 | 244-001522 | 244-000430 | 244-001350 | 244-000439 | 244-001351 | 244-001553 | 244-001553 |
| | Impeller TPHD 205/MG | 1.4409 | 244-001350 | 244-000439 | 244-001351 | 244-000438 | 244-001522 | 244-000430 | 244-001350 | 244-000439 | 244-001351 | 244-001553 | 244-001553 | 244-001553 |
| | Impeller TPHD 210/SHJ | 1.4409 | 244-001119 | 244-000439 | 244-001350 | 244-000439 | 244-001351 | 244-000438 | 244-001522 | 244-000430 | 244-001350 | 244-000439 | 244-001351 | 244-001553 |
| | Impeller TPHD 210/MG | 1.4409 | 244-001351 | 244-000439 | 244-001350 | 244-000439 | 244-001351 | 244-000438 | 244-001522 | 244-000430 | 244-001350 | 244-000439 | 244-001351 | 244-001553 |

Spare parts list - GEA Hilge TP centrifugal pump with IEC motor

| Item | Designation | Material | Pump type TP 7060 | | | | | Pump type TP 2575 | | | | |
|------|----------------------------------|----------|-------------------|-------------|-------------|-------------|------------|-------------------|-------------|-------------|-------------|------|
| | | | 100L / 112M | 132M / 132S | 160M / 160L | 180M / 180L | 200L | 100L / 112M | 132M / 132S | 160M / 160L | 180M / 180L | 200L |
| | Impeller TPHD 215/SHJ | 1.4409 | | 244-000341 | | | | 244-001108 | | | | |
| | Impeller TPHD 215/MG | 1.4409 | | 244-001352 | | | | 244-001554 | | | | |
| | Impeller TPHD 220/SHJ | 1.4409 | | 244-001120 | | | | 244-000440 | | | | |
| | Impeller TPHD 220/MG | 1.4409 | | 244-001353 | | | | 244-001555 | | | | |
| | Impeller TPHD 225/SHJ | 1.4409 | | 244-000432 | | | | 244-001109 | | | | |
| | Impeller TPHD 225/MG | 1.4409 | | 244-001354 | | | | 244-001556 | | | | |
| | Impeller TPHD 230/SHJ | 1.4409 | | -- | | | | 244-000441 | | | | |
| | Impeller TPHD 230/MG | 1.4409 | | -- | | | | 244-001557 | | | | |
| | Impeller TPHD 235/SHJ | 1.4409 | | -- | | | | 244-001110 | | | | |
| | Impeller TPHD 235/MG | 1.4409 | | -- | | | | 244-001558 | | | | |
| | Impeller TPHD 240/SHJ | 1.4409 | | -- | | | | 244-000442 | | | | |
| | Impeller TPHD 240/MG | 1.4409 | | -- | | | | 244-001559 | | | | |
| | Impeller TPHD 245/SHJ | 1.4409 | | -- | | | | 244-001111 | | | | |
| | Impeller TPHD 245/MG | 1.4409 | | -- | | | | 244-001560 | | | | |
| | Impeller TPHD 250/SHJ | 1.4409 | | -- | | | | 244-000443 | | | | |
| | Impeller TPHD 250/MG | 1.4409 | | -- | | | | 244-001561 | | | | |
| 3 | Pump cover* | 1.4404 | | | | | | | | | | |
| | Pump cover with drainage valve * | | | | | | | | | | | |
| 4 | Pump housing TP/EW | 1.4404 | | 244-000808 | | | | 244-000805 | | | | |
| | Pump housing TP/DW | 1.4404 | | 244-000810 | | | | 244-000807 | | | | |
| | Pump housing TP/QU | 1.4404 | | 244-000809 | | | | 244-000806 | | | | |
| | Lantern TP 90 | 1.4301 | -- | -- | | | | -- | -- | -- | -- | |
| | Lantern TP 112 | 1.4301 | 244-000028 | -- | | | | 244-000028 | | | -- | |
| 5 | Lantern TP 132 | 1.4301 | -- | 244-000015 | | | | 244-000015 | | | -- | |
| | Lantern TP 180 | 1.4301 | -- | -- | 244-000193 | | | 244-000193 | 244-000193 | 244-000193 | -- | |
| | Lantern TP 200 | 1.4301 | -- | -- | -- | | | -- | -- | -- | 244-001280 | |
| 7 | Shaft TP | 1.4301 | 244-000350 | 244-000352 | 244-000351 | 244-000349 | 244-000329 | 244-000350 | 244-000351 | 244-000349 | 244-000329 | |
| 9 | Cap nut | 1.4404 | | 244-146.02 | | | | 244-146.02 | | | | |

| Item | Designation | Material | Pump type TP 7060 | | | | | Pump type TP 2575 | | | | |
|------|--|----------|--|-------------|-------------|-------------|------------|-------------------|-------------|-------------|-------------|------------|
| | | | 100L / 112M | 132M / 132S | 160M / 160L | 180M / 180L | 200L | 100L / 112M | 132M / 132S | 160M / 160L | 180M / 180L | 200L |
| 30 | O-ring | EPDM | 930-757 | | | | | 930-757 | | | | |
| | | FKM | 930-761 | | | | | 930-761 | | | | |
| 35 | O-ring | EPDM | 930-315 | | | | | 930-892 | | | | |
| | | FKM | 930-748 | | | | | 930-893 | | | | |
| 40 | Hex screw | A2-70 | 901-140 | | | | | 901-379 | | | | |
| 44 | Hex screw | A2-70 | 901-149 | 901-149 | 901-243 | 901-243 | 901-245 | 901-149 | 901-149 | 901-243 | 901-243 | 901-245 |
| 45 | Round plug | PE-LD | 922-334 | 922-334 | 922-334 | 922-334 | 922-334 | 922-334 | 922-334 | 922-334 | 922-334 | 922-334 |
| 46 | Lamellar plug | PE-LD | 922-355 | 922-355 | 922-355 | 922-355 | 922-355 | 922-355 | 922-355 | 922-355 | 922-355 | 922-355 |
| 47 | Cap nut | A2 | 912-005 | | | | | 912-005 | | | | |
| 48 | Cap nut | A2 | 912-008 | | | | | 912-134 | | | | |
| 49 | Hex nut | A2 | 910-029 | 910-029 | 910-043 | 910-043 | 910-043 | 910-029 | 910-029 | 910-043 | 910-043 | 910-043 |
| 50 | Disk | 1.4301 | 921-021 | 921-021 | 921-104 | 921-104 | 921-104 | 921-021 | 921-021 | 921-104 | 921-104 | 921-104 |
| 51 | Cylindrical head screw with hexagon socket | A2-70 | 902-140 | 902-140 | 902-140 | 902-141 | 902-141 | 902-140 | 902-140 | 902-141 | 902-141 | 902-141 |
| 55 | Feather key ** | 1.0503 | 244-002000 | 244-002001 | 244-002002 | 244-000410 | 244-002003 | 244-002000 | 244-002001 | 244-002002 | 244-000410 | 244-002003 |
| 56 | Spacer *** | PVC | 244-000366 | | | | | 244-000365 | | | | |
| 57 | Round plug | PE-LD | 922-272 | | | | | 922-272 | | | | |
| A | Sealing set | EPDM | 244-001054 | | | | | 244-000467 | | | | |
| | | FKM | 244-001055 | | | | | 244-000468 | | | | |
| A | Mechanical seal | | See spare parts list EW, DW and QU for centrifugal pump TP | | | | | | | | | |

* pos. 3 - pump cover is available only on request with connection fitting

** Feather keys for standard motor

*** item 56 is without figure. Spacer is a tool to set the axial gap.

Spare parts list - GEA Hilge TP centrifugal pump with IEC motor

| Item | Designation | Material | Pump type TP 8050 | | | | | Pump type TP 8080 | | | | |
|------|-----------------------|----------|-------------------|-------------|-------------|-------------|-----|-------------------|-------------|-------------|-------------|------|
| | | | 100L / 112M | 132M / 132S | 160M / 160L | 180M / 180L | 200 | 100L / 112M | 132M / 132S | 160M / 160L | 180M / 180L | 200L |
| | Impeller TPHD 135/SHJ | 1.4409 | 244-001639 | | | | | -- | | | | |
| | Impeller TPHD 135/MG | 1.4409 | -- | | | | | -- | | | | |
| | Impeller TPHD 140/SHJ | 1.4409 | 244-002024 | | | | | -- | | | | |
| | Impeller TPHD 140/MG | 1.4409 | -- | | | | | -- | | | | |
| | Impeller TPHD 145/SHJ | 1.4409 | 244-001638 | | | | | -- | | | | |
| | Impeller TPHD 145/MG | 1.4409 | -- | | | | | -- | | | | |
| | Impeller TPHD 150/SHJ | 1.4409 | 244-002023 | | | | | -- | | | | |
| | Impeller TPHD 150/MG | 1.4409 | -- | | | | | -- | | | | |
| | Impeller TPHD 155/SHJ | 1.4409 | 244-001637 | | | | | -- | | | | |
| | Impeller TPHD 155/MG | 1.4409 | -- | | | | | -- | | | | |
| | Impeller TPHD 160/SHJ | 1.4409 | 244-002022 | | | | | -- | | | | |
| | Impeller TPHD 160/MG | 1.4409 | -- | | | | | -- | | | | |
| | Impeller TPHD 165/SHJ | 1.4409 | 244-001636 | | | | | -- | | | | |
| | Impeller TPHD 165/MG | 1.4409 | -- | | | | | -- | | | | |
| | Impeller TPHD 170/SHJ | 1.4409 | 244-002021 | | | | | 244-000411 | | | | |
| | Impeller TPHD 170/MG | 1.4409 | -- | | | | | 244-001529 | | | | |
| | Impeller TPHD 175/SHJ | 1.4409 | 244-001635 | | | | | -- | | | | |
| | Impeller TPHD 175/MG | 1.4409 | -- | | | | | -- | | | | |
| | Impeller TPHD 180/SHJ | 1.4409 | 244-002020 | | | | | 244-000412 | | | | |
| | Impeller TPHD 180/MG | 1.4409 | -- | | | | | 244-001528 | | | | |
| | Impeller TPHD 185/SHJ | 1.4409 | 244-001634 | | | | | -- | | | | |
| | Impeller TPHD 185/MG | 1.4409 | -- | | | | | -- | | | | |
| | Impeller TPHD 190/SHJ | 1.4409 | 244-002019 | | | | | 244-000403 | | | | |
| | Impeller TPHD 190/MG | 1.4409 | -- | | | | | 244-001530 | | | | |
| | Impeller TPHD 195/SHJ | 1.4409 | 244-001633 | | | | | -- | | | | |
| | Impeller TPHD 195/MG | 1.4409 | -- | | | | | -- | | | | |
| | Impeller TPHD 200/SHJ | 1.4409 | 244-002018 | | | | | 244-000404 | | | | |
| | Impeller TPHD 200/MG | 1.4409 | -- | | | | | 244-001531 | | | | |

| Item | Designation | Material | Pump type TP 8050 | | | | | Pump type TP 8080 | | | | |
|------|----------------------------------|----------|-------------------|-------------|-------------|-------------|-----|-------------------|-------------|-------------|-------------|------|
| | | | 100L / 112M | 132M / 132S | 160M / 160L | 180M / 180L | 200 | 100L / 112M | 132M / 132S | 160M / 160L | 180M / 180L | 200L |
| | Impeller TPHD 205/SHJ | 1.4409 | 244-001617 | | | | | 244-001121 | | | | |
| | Impeller TPHD 205/MG | 1.4409 | -- | -- | -- | -- | -- | -- | -- | -- | -- | |
| | Impeller TPHD 210/SHJ | 1.4409 | -- | -- | -- | -- | -- | -- | -- | -- | -- | |
| | Impeller TPHD 210/MG | 1.4409 | -- | -- | -- | -- | -- | -- | -- | -- | -- | |
| | Impeller TPHD 215/SHJ | 1.4409 | -- | -- | -- | -- | -- | -- | -- | -- | -- | |
| | Impeller TPHD 215/MG | 1.4409 | -- | -- | -- | -- | -- | -- | -- | -- | -- | |
| | Impeller TPHD 220/SHJ | 1.4409 | -- | -- | -- | -- | -- | -- | -- | -- | -- | |
| | Impeller TPHD 220/MG | 1.4409 | -- | -- | -- | -- | -- | -- | -- | -- | -- | |
| | Impeller TPHD 225/SHJ | 1.4409 | -- | -- | -- | -- | -- | -- | -- | -- | -- | |
| | Impeller TPHD 225/MG | 1.4409 | -- | -- | -- | -- | -- | -- | -- | -- | -- | |
| | Impeller TPHD 230/SHJ | 1.4409 | -- | -- | -- | -- | -- | -- | -- | -- | -- | |
| | Impeller TPHD 230/MG | 1.4409 | -- | -- | -- | -- | -- | -- | -- | -- | -- | |
| | Impeller TPHD 235/SHJ | 1.4409 | -- | -- | -- | -- | -- | -- | -- | -- | -- | |
| | Impeller TPHD 235/MG | 1.4409 | -- | -- | -- | -- | -- | -- | -- | -- | -- | |
| | Impeller TPHD 240/SHJ | 1.4409 | -- | -- | -- | -- | -- | -- | -- | -- | -- | |
| | Impeller TPHD 240/MG | 1.4409 | -- | -- | -- | -- | -- | -- | -- | -- | -- | |
| | Impeller TPHD 245/SHJ | 1.4409 | -- | -- | -- | -- | -- | -- | -- | -- | -- | |
| | Impeller TPHD 245/MG | 1.4409 | -- | -- | -- | -- | -- | -- | -- | -- | -- | |
| | Impeller TPHD 250/SHJ | 1.4409 | -- | -- | -- | -- | -- | -- | -- | -- | -- | |
| | Impeller TPHD 250/MG | 1.4409 | -- | -- | -- | -- | -- | -- | -- | -- | -- | |
| 3 | Pump cover* | 1.4404 | * on request | | | | | * on request | | | | |
| 4 | Pump cover with drainage valve * | | | | | | | | | | | |
| | Pump housing TP/EW | 1.4404 | 244-001608 | | | | | 244-000799 | | | | |
| | Pump housing TP/DW | 1.4404 | 244-001951 | | | | | 244-000801 | | | | |
| | Pump housing TP/QU | 1.4404 | 244-001950 | | | | | 244-000800 | | | | |
| | Lantern TP 90 | 1.4301 | -- | -- | -- | -- | -- | -- | -- | -- | -- | |
| 5 | Lantern TP 112 | 1.4301 | 244-000028 | -- | -- | -- | -- | 244-000028 | -- | -- | -- | |
| | Lantern TP 132 | 1.4301 | -- | 244-000015 | -- | -- | -- | -- | 244-000015 | -- | -- | |

Spare parts list - GEA Hilge TP centrifugal pump with IEC motor

| Item | Designation | Material | Pump type TP 8050 | | | | | | Pump type TP 8080 | | | | | |
|------|--|--|-------------------|-------------|-------------|-------------|------------|-------------|-------------------|-------------|-------------|------------|------------|------------|
| | | | 100L / 112M | 132M / 132S | 160M / 160L | 180M / 180L | 200 | 100L / 112M | 132M / 132S | 160M / 160L | 180M / 180L | 200L | | |
| | Lantern TP 180 | 1.4301 | 244-000337 | -- | 244-000193 | 244-000193 | -- | -- | 244-000337 | -- | 244-000193 | 244-000193 | -- | -- |
| | Lantern TP 200 | 1.4301 | -- | -- | -- | -- | 244-001280 | -- | -- | -- | -- | -- | 244-001280 | -- |
| | Lantern TP 225 | 1.4301 | -- | -- | -- | -- | -- | -- | -- | -- | -- | -- | -- | -- |
| 7 | Shaft TP | 1.4301 | 244-000352 | 244-000351 | 244-000349 | 244-000329 | -- | -- | 244-000350 | 244-000352 | 244-000351 | 244-000349 | 244-000329 | |
| 9 | Cap nut | 1.4404 | 244-146.02 | | | | | | 244-146.02 | | | | | |
| 30 | O-ring | EPDM | 930-757 | | | | | | 930-757 | | | | | |
| | | FKM | 930-761 | | | | | | 930-761 | | | | | |
| 35 | O-ring | EPDM | 930-892 | | | | | | 930-891 | | | | | |
| | | FKM | 930-893 | | | | | | 930-890 | | | | | |
| 40 | Hex screw | A2-70 | 901-379 | | | | | | 901-379 | | | | | |
| 44 | Hex screw | A2-70 | 901-149 | 901-149 | 901-243 | 901-243 | 901-246 | 901-149 | 901-149 | 901-243 | 901-243 | 901-243 | 901-243 | 901-245 |
| 45 | Round plug | PE-LD | 922-334 | | | | | | 922-334 | | | | | |
| 46 | Lamellar plug | PE-LD | 922-355 | | | | | | 922-355 | | | | | |
| 47 | Cap nut | A2 | 912-005 | | | | | | 912-005 | | | | | |
| 48 | Cap nut | A2 | 912-134 | | | | | | 912-134 | | | | | |
| 49 | Hex nut | A2 | 910-029 | 910-029 | 910-043 | 910-043 | 910-043 | 910-029 | 910-029 | 910-043 | 910-043 | 910-043 | 910-043 | 910-043 |
| 50 | Disk | 1.4301 | 921-021 | 921-021 | 921-104 | 921-104 | 921-104 | 921-021 | 921-021 | 921-104 | 921-104 | 921-104 | 921-104 | 921-104 |
| 51 | Cylindrical head screw with hexagon socket | A2-70 | 902-140 | 902-140 | 902-140 | 902-141 | 902-141 | 902-140 | 902-140 | 902-141 | 902-141 | 902-141 | 902-141 | 902-141 |
| 55 | Feather key ** | 1.0503 | 244-002000 | 244-002001 | 244-002002 | 244-000410 | 244-002003 | 244-002000 | 244-002001 | 244-002002 | 244-000410 | 244-000410 | 244-002003 | 244-002003 |
| 56 | Spacer *** | PVC | 244-000306 | | | | | | 244-000365 | | | | | |
| 57 | Round plug | PE-LD | 922-272 | | | | | | 922-272 | | | | | |
| | Sealing set | EPDM | 244-001620 | | | | | | 244-000336 | | | | | |
| | | FKM | 244-001980 | | | | | | 244-000384 | | | | | |
| A | Mechanical seal | See spare parts list EW, DW and QU for centrifugal pump TP | | | | | | | | | | | | |

* pos. 3 - pump cover is available only on request with connection fitting

** Feather keys for standard motor

*** item 56 is without figure. Spacer is a tool to set the axial gap.

| Item | Designation | Material | Pump type TP 16040 | | | | | | |
|-----------------------|-----------------------|----------|--------------------|-------------|-------------|------|------|------|--|
| | | | 100L / 112M | 132M / 132S | 160M / 160L | 180M | 200L | 225M | |
| 1 | Impeller TPHD 160/SHJ | 1.4409 | | | 244-000551 | | | | |
| | Impeller TPHD 160/MG | 1.4409 | | | 244-001562 | | | | |
| | Impeller TPHD 165/SHJ | 1.4409 | | | 244-000811 | | | | |
| | Impeller TPHD 165/MG | 1.4409 | | | 244-001563 | | | | |
| | Impeller TPHD 170/SHJ | 1.4409 | | | 244-000552 | | | | |
| | Impeller TPHD 170/MG | 1.4409 | | | 244-001564 | | | | |
| | Impeller TPHD 175/SHJ | 1.4409 | | | 244-000812 | | | | |
| | Impeller TPHD 175/MG | 1.4409 | | | 244-001565 | | | | |
| | Impeller TPHD 180/SHJ | 1.4409 | | | 244-000549 | | | | |
| | Impeller TPHD 180/MG | 1.4409 | | | 244-001566 | | | | |
| | Impeller TPHD 185/SHJ | 1.4409 | | | 244-000813 | | | | |
| | Impeller TPHD 185/MG | 1.4409 | | | 244-001567 | | | | |
| | Impeller TPHD 190/SHJ | 1.4409 | | | 244-000550 | | | | |
| | Impeller TPHD 190/MG | 1.4409 | | | 244-001568 | | | | |
| | Impeller TPHD 195/SHJ | 1.4409 | | | 244-000814 | | | | |
| | Impeller TPHD 195/MG | 1.4409 | | | 244-001569 | | | | |
| | Impeller TPHD 200/SHJ | 1.4409 | | | 244-000548 | | | | |
| | Impeller TPHD 200/MG | 1.4409 | | | 244-001570 | | | | |
| | Impeller TPHD 205/SHJ | 1.4409 | | | -- | | | | |
| | Impeller TPHD 205/MG | 1.4409 | | | -- | | | | |
| Impeller TPHD 210/SHJ | 1.4409 | | | -- | | | | | |
| Impeller TPHD 210/MG | 1.4409 | | | -- | | | | | |
| Impeller TPHD 215/SHJ | 1.4409 | | | -- | | | | | |
| Impeller TPHD 215/MG | 1.4409 | | | -- | | | | | |
| Impeller TPHD 220/SHJ | 1.4409 | | | -- | | | | | |
| Impeller TPHD 220/MG | 1.4409 | | | -- | | | | | |
| Impeller TPHD 225/SHJ | 1.4409 | | | -- | | | | | |
| Impeller TPHD 225/MG | 1.4409 | | | -- | | | | | |
| Impeller TPHD 230/SHJ | 1.4409 | | | -- | | | | | |

Spare parts list - GEA Hilge TP centrifugal pump with IEC motor

| Item | Designation | Material | Pump type TP 16040 | | | | | | |
|------|----------------------------------|----------|--------------------|-------------|-------------|------------|------------|------------|--|
| | | | 100L / 112M | 132M / 132S | 160M / 160L | 180M | 200L | 225M | |
| | Impeller TPHD 230/MG | 1.4409 | | | -- | | | | |
| | Impeller TPHD 235/SHJ | 1.4409 | | | -- | | | | |
| | Impeller TPHD 235/MG | 1.4409 | | | -- | | | | |
| | Impeller TPHD 240/SHJ | 1.4409 | | | -- | | | | |
| | Impeller TPHD 240/MG | 1.4409 | | | -- | | | | |
| | Impeller TPHD 245/SHJ | 1.4409 | | | -- | | | | |
| | Impeller TPHD 245/MG | 1.4409 | | | -- | | | | |
| | Impeller TPHD 250/MG | 1.4409 | | | -- | | | | |
| 3 | Pump cover* | 1.4404 | | | * | | | | |
| | Pump cover with drainage valve * | | | | | on request | | | |
| | Pump housing TP/EW | 1.4404 | | | | 244-000543 | | | |
| 4 | Pump housing TP/DW | 1.4404 | | | | 244-000555 | | | |
| | Pump housing TP/QU | 1.4404 | | | | 244-000556 | | | |
| | Lantern TP 112 | 1.4301 | 244-000028 | -- | -- | -- | -- | -- | |
| | Lantern TP 132 | 1.4301 | -- | 244-000015 | -- | -- | -- | -- | |
| 5 | Lantern TP 180 | 1.4301 | -- | -- | 244-000193 | 244-000193 | -- | -- | |
| | Lantern TP 200 | 1.4301 | -- | -- | -- | -- | 244-001280 | -- | |
| | Lantern TP 225 | 1.4301 | -- | -- | -- | -- | -- | 244-000334 | |
| 7 | Shaft TP | 1.4301 | 244-000350 | 244-000352 | 244-000351 | 244-000349 | 244-000329 | 244-000329 | |
| 9 | Cap nut | 1.4404 | | | | 244-000518 | | | |
| 30 | O-ring | EPDM | | | | 930-144 | | | |
| | | FKM | | | | 930-171 | | | |
| 35 | O-ring | EPDM | | | | 930-915 | | | |
| | | FKM | | | | 930-916 | | | |
| 40 | Hex screw | A2-70 | | | | 901-379 | | | |
| 44 | Hex screw | A2-70 | 901-149 | 901-149 | 901-243 | 901-243 | 901-245 | 901-243 | |
| 45 | Round plug | PE-LD | | 922-334 | | | 922-334 | -- | |
| 46 | Lamellar plug | PE-LD | | 922-355 | | | 922-355 | -- | |
| 47 | Cap nut | A2 | | | | 912-005 | | | |

| Item | Designation | Material | Pump type TP 16040 | | | | | | |
|--|--|--|--------------------|-------------|-------------|------------|------------|------------|------------|
| | | | 100L / 112M | 132M / 132S | 160M / 160L | 180M | 200L | 225M | |
| 48 | Cap nut | A2 | 912-134 | | | | | | |
| 49 | Hex nut | A2 | 910-029 | 910-043 | 910-043 | 910-043 | 910-043 | 910-043 | 910-043 |
| 50 | Disk | 1.4301 | 921-021 | 921-104 | 921-104 | 921-104 | 921-104 | 921-104 | 921-104 |
| 51 | Cylindrical head screw with hexagon socket | A2-70 | 902-140 | 902-140 | 902-141 | 902-141 | 902-141 | 902-141 | 902-141 |
| 55 | Feather key ** | 1.0503 | 244-002000 | 244-002001 | 244-002002 | 244-000410 | 244-002003 | 244-000340 | 244-000340 |
| 56 | Spacer *** | PVC | 244-000561 | | | | | | |
| 57 | Round plug | PE-LD | 922-272 | | | | | | |
| Sealing set | Mechanical seal | EPDM | 244-000519 | | | | | | |
| | | FKM | 244-000520 | | | | | | |
| A | Mechanical seal | See spare parts list EW, DW and QU for centrifugal pump TP | | | | | | | |
| * pos. 3 - pump cover is available only on request with connection fitting | | | | | | | | | |
| ** Feather keys for standard motor | | | | | | | | | |
| *** item 56 is without figure. Spacer is a tool to set the axial gap. | | | | | | | | | |

